



A Tsurumi Pump Company

PRODUCT DATA SHEET

GRG GRINDER

ZEN-GRG300/2/G50HC0ETEX | 807378



IMAGE INDICATIVE ONLY

PRODUCT DETAILS

GRG models are cast-iron, submersible pumps fitted with a multi-channel open impeller and an external rotary cutting mechanism. The cutting system reduces fibrous and filamentous solids before they reach the impeller, enabling reliable pumping of waste streams that would block or wear a conventional sewage pump.

APPLICATIONS

- Sewage and wastewater containing fibres or filaments
- Pump stations and lifting systems where unscreened sewage must be discharged through small-diameter or long-run pipework
- Livestock and agricultural operations handling waste with fibrous bedding material or crop debris
- Industrial and commercial applications with fibrous process waste

FEATURES

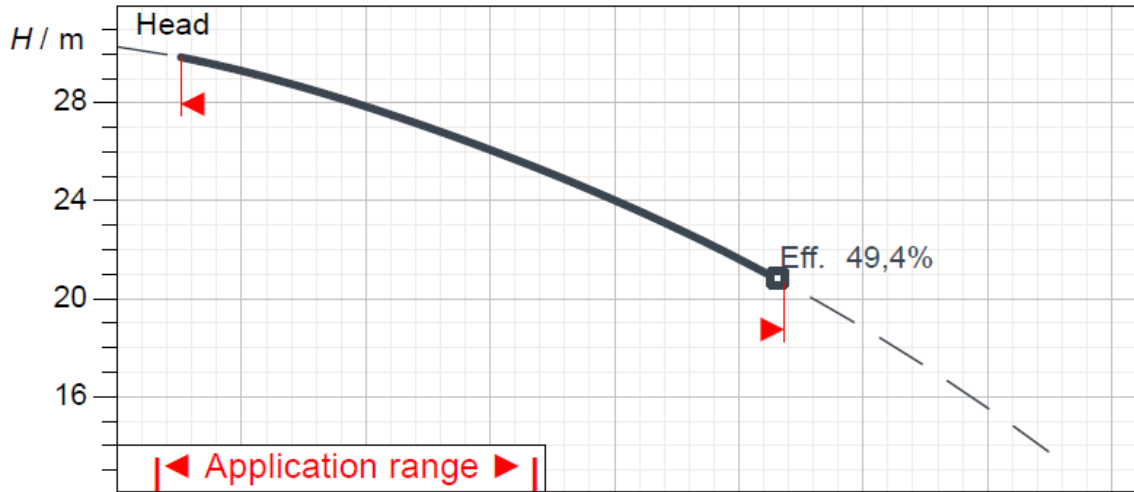
- Cast-iron body, impeller and flange EN-GJL250
- AISI 431 motor shaft
- Cutter and disc chromium steel – X102 CrMo17 KU
- 2-pole, 3-phase motor
- Class H insulation [180°C]
- IP68 protection
- Thermal protections integrated into the stator
- Moisture detection probe fitted to mechanical seal oil chamber
- Two-component epoxy painting 150µm
- Two silicon carbide [SiC] mechanical seals inside the oil chamber
- Cable length 10m

TECHNICAL DATA

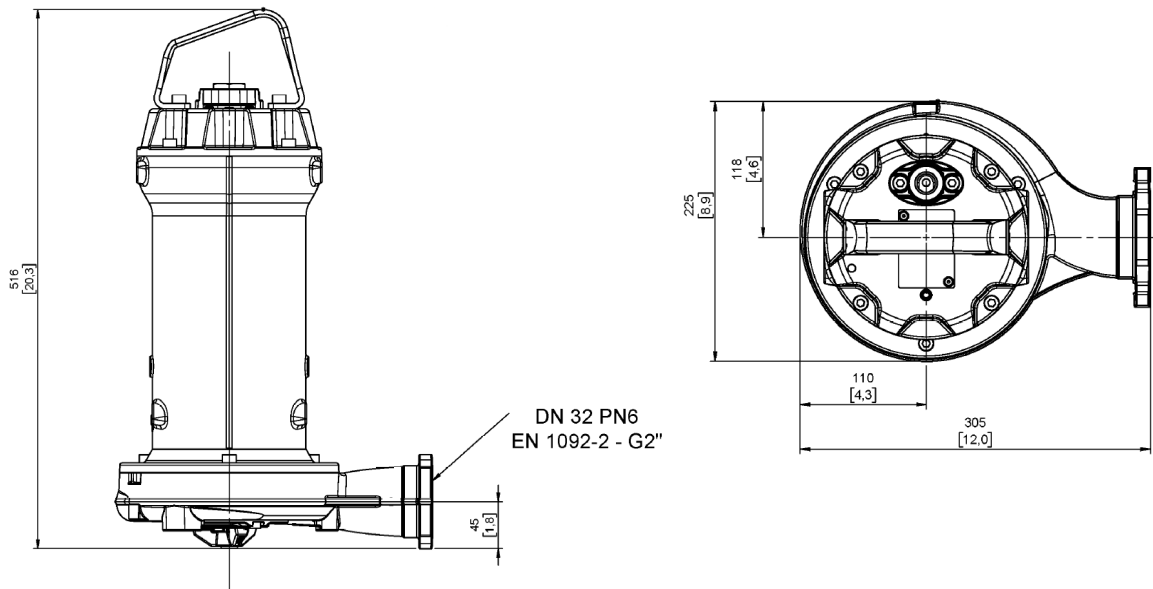
RATED POWER P1 / P2	2.8kW / 2.2kW
MAX. FLOW [Q]	5.4 L/sec
MAX. HEAD [M]	29.9 m
MOTOR INSULATION	H Class
PROTECTION CLASS	IP68
MOTOR PROTECTION	Thermal protection and moisture detection
MOTOR DUTY	Continuous Use S1
MAX. LIQUID TEMPERATURE	40°C
MECHANICAL SEAL	Dual Silicon Carbide
MAX. DENSITY AND PH	1.100 kg/m ³ pH 6 – 14

RATED VOLTAGE	400V 3ph 50Hz
MOTOR POLES	2-pole
CURRENT	Rated FLC 4.6A DOL current 28.2A
POWER CABLE TYPE	10m H07RN-F Cable
MAX. HYDRAULIC EFFICIENCY	49.4%
FREE PASSAGE	0 mm
IMPELLER TYPE	Open-channel impeller with grinder system
SUCTION	
OUTLET	DN32 – G 2"
WEIGHT (KG)	43.2 kg (pump only)

CURVE



DIMENSIONS



WARRANTY / CERTIFICATIONS

